

TFT-Saver

Protective casing for Displays

With TFT-Saver we offer a convenient possibility to protect your standard TFT-Display against humidity, mechanical impact and chemicals.

It's an inexpensive and patented product for IT workstations in healthcare or industrial markets. Mounting of the TFT-Saver is very easy and you can use the VESA connection of the display anymore.

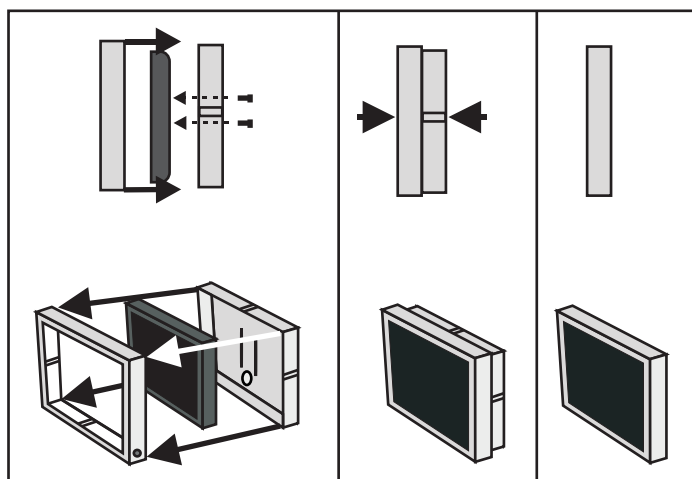


Easy to mount



- IP54
- solvent-resistant
- anti-bacterial surface coating
- sterilizable
- ergonomically designed
- robust
- easy to mount

- TFT: 15 Zoll to 21 Zoll



TFT-Saver fitting

patent pending

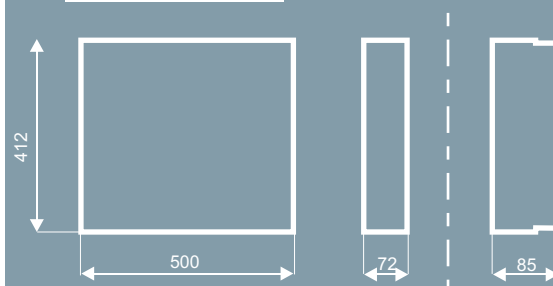


Waterproof front



Back side with wall holder and cable outlet

Dimensions:



Weight: 3,5 kg

Max. Dimensions of the TFT:

465 mm x 380 mm x 80 mm